



US00D484244S

(12) **United States Design Patent** (10) **Patent No.:** **US D484,244 S**
Starnes (45) **Date of Patent:** **** Dec. 23, 2003**

(54) **LANCET COVER**
(75) Inventor: **Charles D. Starnes**, Coral Springs, FL (US)
(73) Assignee: **Caribbean Medical Brokers, Inc.**, Coral Springs, FL (US)
(**) Term: **14 Years**
(21) Appl. No.: **29/171,683**
(22) Filed: **Nov. 26, 2002**
(51) **LOC (7) Cl.** **24-02**
(52) **U.S. Cl.** **D24/146; D24/130; D24/147**
(58) **Field of Search** **D24/130, 146, D24/147; 606/181, 182, 167, 184; 30/342**

5,487,748 A 1/1996 Marshall et al.
5,893,864 A 4/1999 Brakey
D411,619 S 6/1999 Duchon
5,913,868 A 6/1999 Marshall et al.
6,589,261 B1 * 7/2003 Abulhaj et al. 606/181
2003/0109895 A1 * 6/2003 Taylor et al. 606/181

* cited by examiner

Primary Examiner—Ian Simmons
(74) *Attorney, Agent, or Firm*—Richard S. Vermut; Rogers Towers, P.A.

(57) **CLAIM**

The ornamental design for a lancet cover, as shown and described.

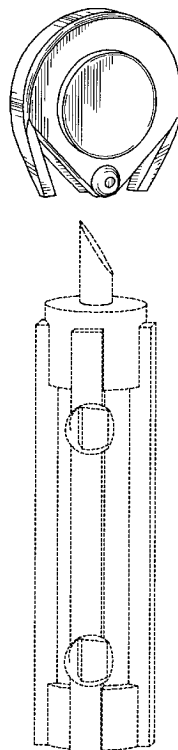
DESCRIPTION

FIG. 1 is a front perspective view of a lancet cover showing our new design, the broken line showing of the lancet is for illustrative purposes only and forms no part of the claimed design

FIG. 2 is a front perspective view thereof, shown detached; FIG. 3 is another front perspective view thereof; FIG. 4 is a front elevational view of the lancet cover shown in FIG. 1, the rear elevational view being identical thereto; FIG. 5 is a side elevational view thereof, the opposite side elevational view being identical thereto; FIG. 6 is a top plan view thereof; FIG. 7 is another top plan view thereof; and, FIG. 8 is a bottom plan view thereof.

(56) **References Cited**
U.S. PATENT DOCUMENTS
2,935,067 A 5/1960 Bouet
3,358,689 A 12/1967 Higgins
3,989,045 A 11/1976 Van Eck
4,545,376 A 10/1985 Beiter
4,635,633 A 1/1987 Hufnagle
4,994,068 A * 2/1991 Hufnagle 606/181
5,304,192 A 4/1994 Crouse
5,314,442 A 5/1994 Morita
5,324,302 A 6/1994 Crouse
5,366,469 A 11/1994 Steg et al.
5,385,571 A 1/1995 Morita
D362,719 S 9/1995 Kaplan
5,454,828 A 10/1995 Schraga

1 Claim, 6 Drawing Sheets



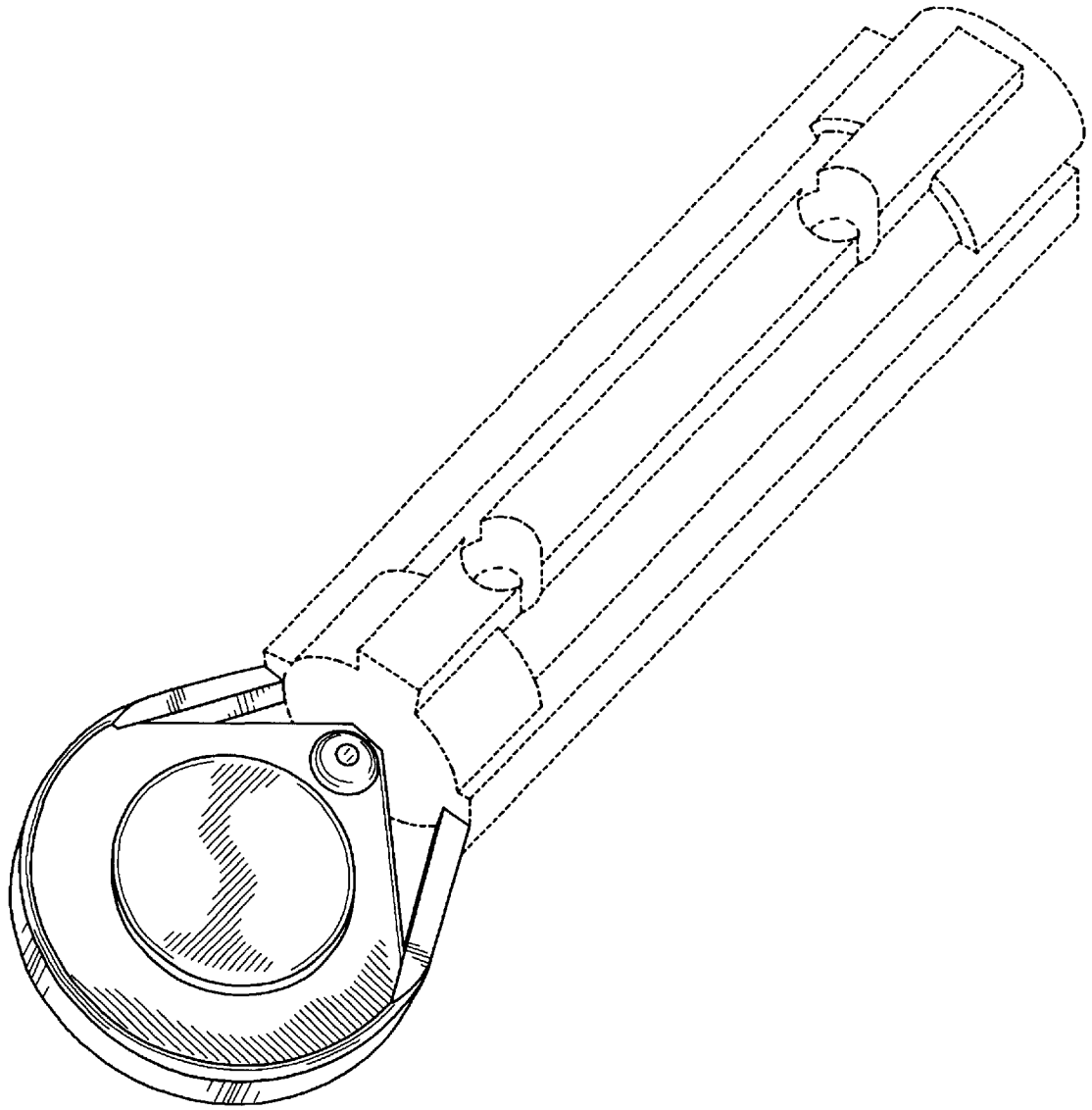


Fig. 1

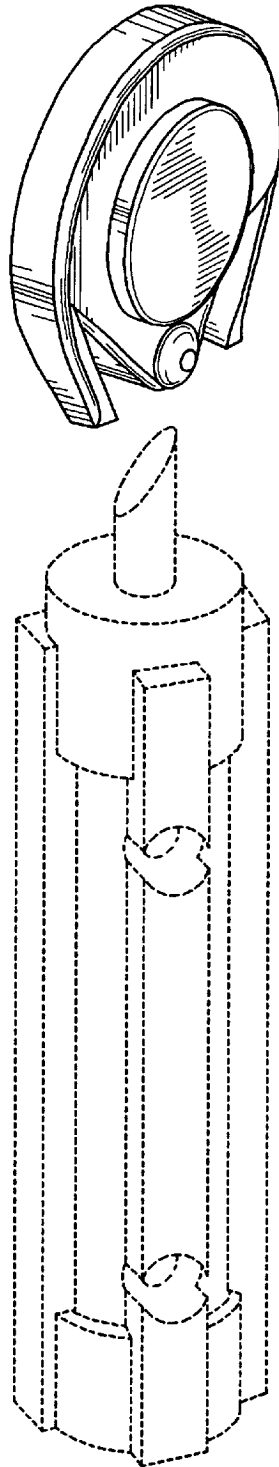


Fig. 2

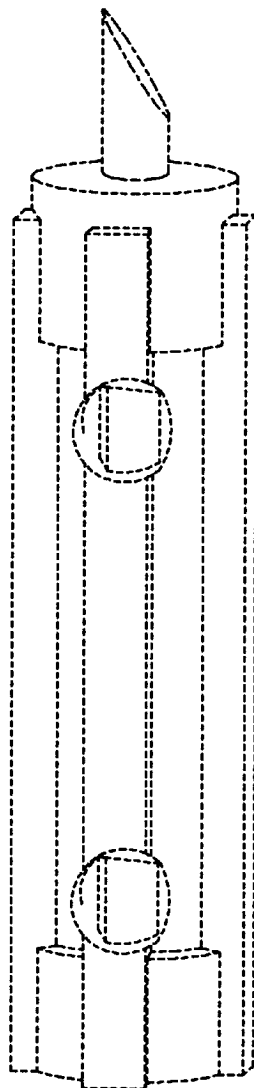
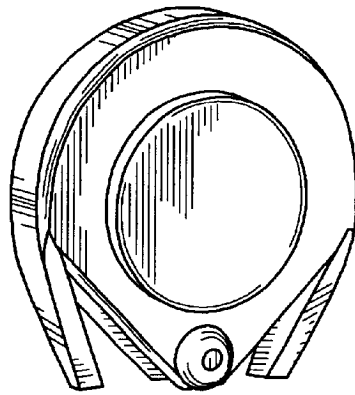


Fig. 3

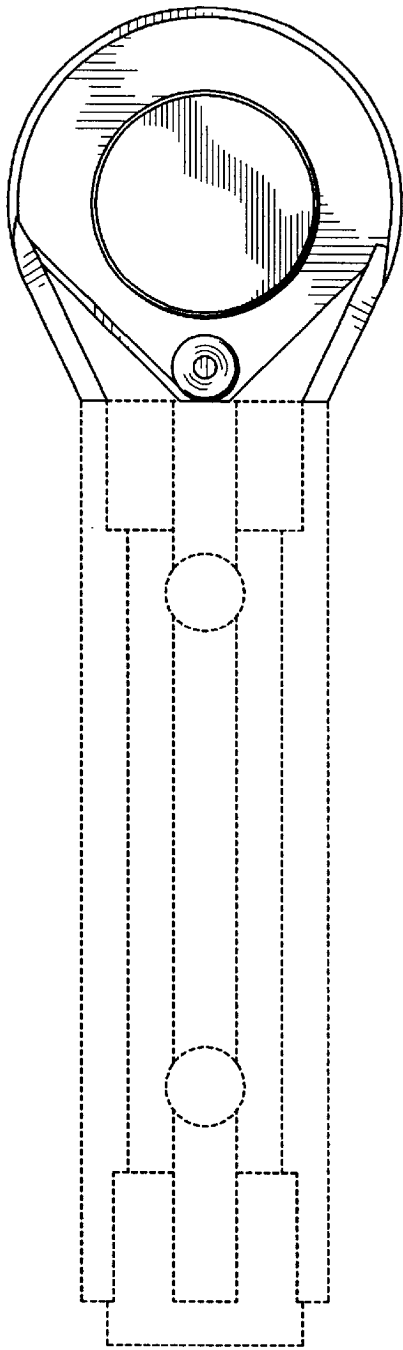


Fig. 4

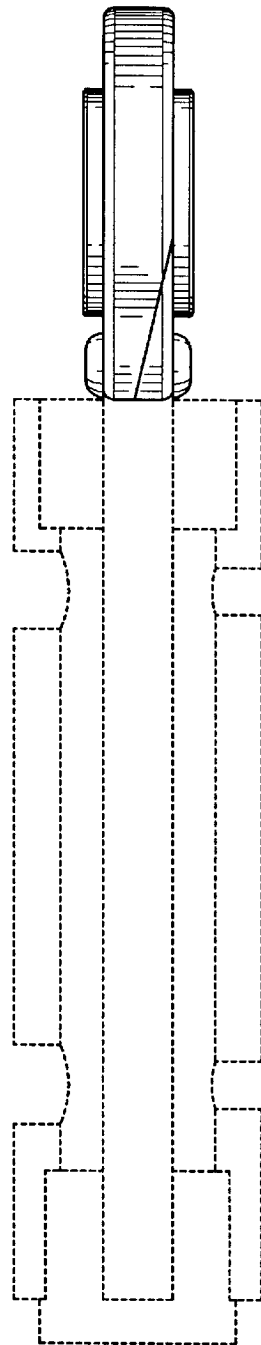


Fig. 5

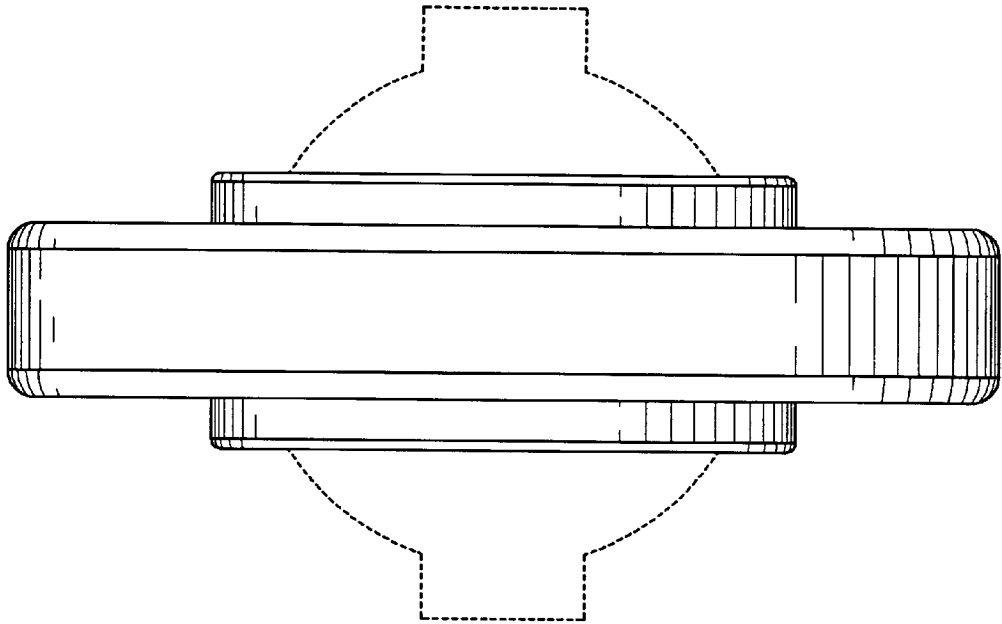


Fig. 6

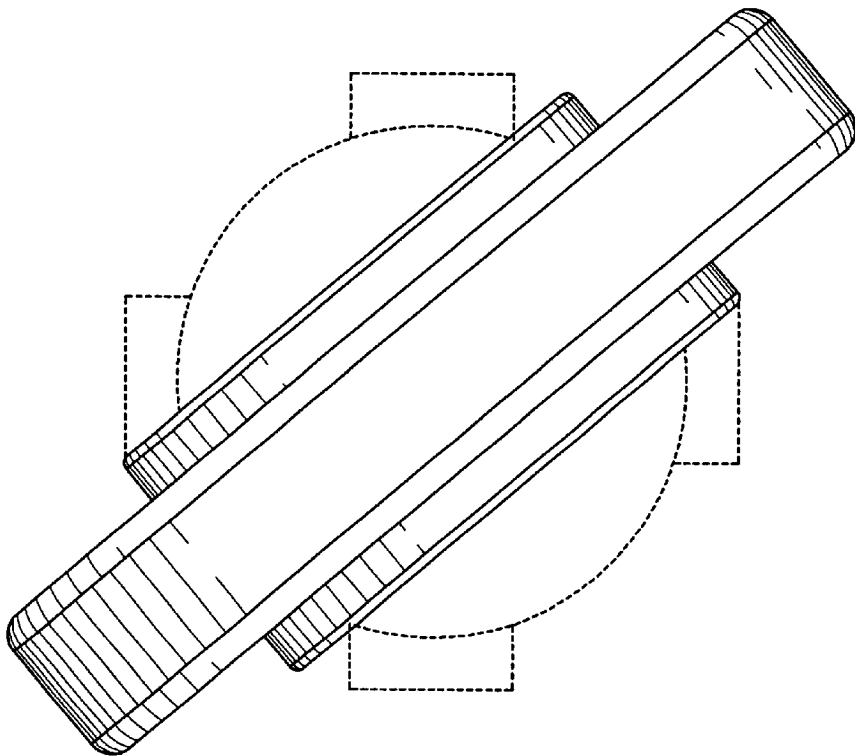


Fig. 7

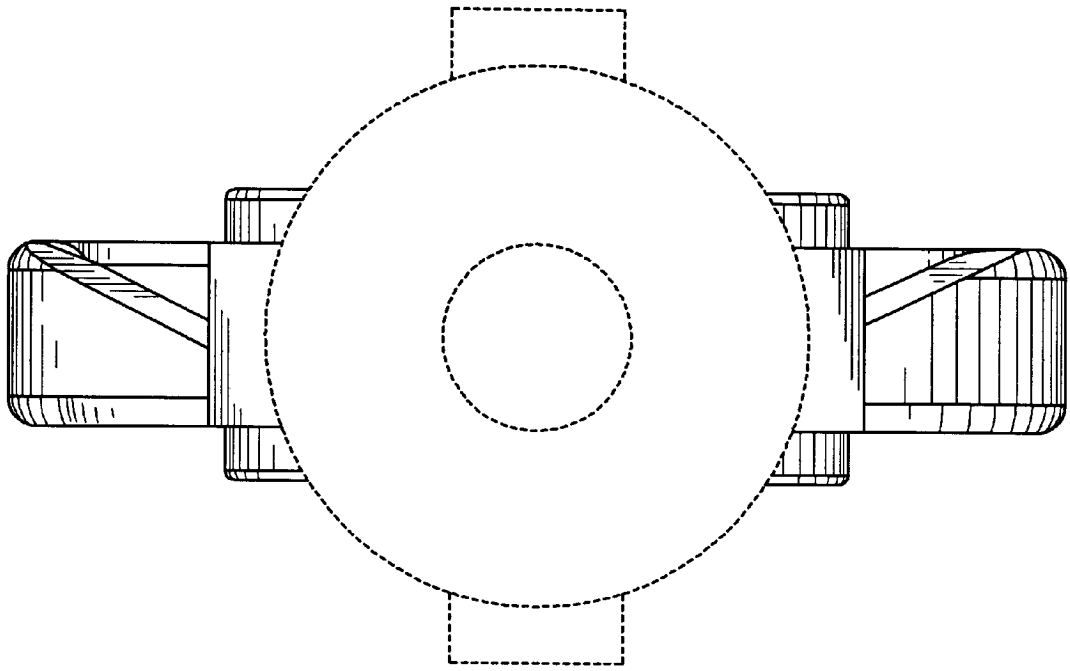


Fig. 8